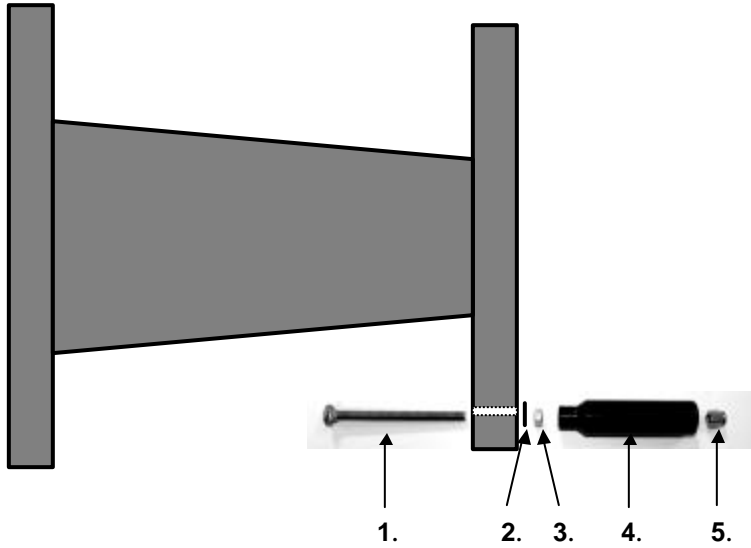




#264 Handle (H084) Installation Instructions



1. Carriage Bolt
2. Flat Washer
3. Jam Nut
4. Handle
5. Lock Nut

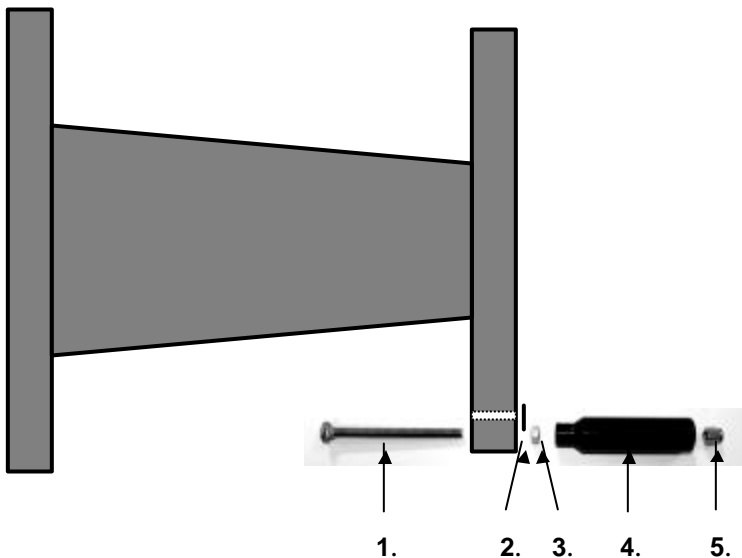
LIFESAVING SYSTEMS CORP.

220 ELSBERRY RD.
APOLLO BEACH, FL 33572
PHONE: 813/645-2748
FAX: 813/645-2768
www.lifesavingsystems.com

Lifesaving Systems Corp.
#F-750-264 OM (Rev A) Updated 2011-10-10



#264 Handle (H084) Installation Instructions



1. Carriage Bolt
2. Flat Washer
3. Jam Nut
4. Handle
5. Lock Nut

LIFESAVING SYSTEMS CORP.

220 ELSBERRY RD.
APOLLO BEACH, FL 33572
PHONE: 813/645-2748
FAX: 813/645-2768
www.lifesavingsystems.com

Lifesaving Systems Corp.
#F-750-264 OM (Rev A) Updated 2011-10-10