

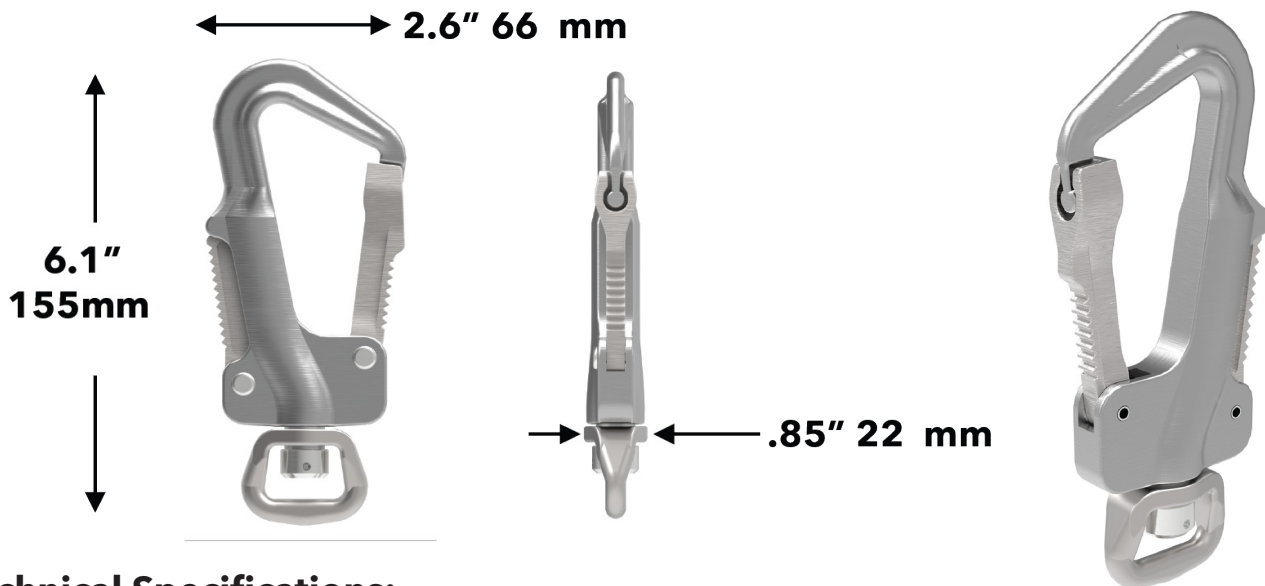
#513-TI Talon II Hook

Titanium safety hook with integrated swivel eye. Features a locking gate to reduce ring roll-out or inadvertent release. To open, simply press the latch on the spine and open the gate. After release, the spring loaded gate and latch return to the locked positions. Ergonomic design allows for easy grip and functioning with a single hand. Improved ball & socket gate interface reduces snag incidents when clipping into or out of small diameter ropes & rings.

*Meets ANSI Z359.12-2009 Major and Minor Axis Load Requirements.



Dimensions:



Technical Specifications:

| #513-TI Talon II Hook | | |
|---------------------------|---------------------|-------------------------|
| Hardware: | Hook Body | 6AL-4V, Titanium |
| | Gate and Latch | 17-4PH, Stainless Steel |
| | Gate Spring | 17-7PH, Stainless Steel |
| | Swivel | 17-4PH, Stainless Steel |
| | Latch Spring | 303, Stainless Steel |
| Weight: | 0.60lbs (272 grams) | |
| Breaking Limit: | 8,000lbs (3,628kg) | |
| Working Load Limit (WLL): | 600lbs (272kg) | |

LIFESAVING SYSTEMS CORPORATION

📍 220 Elsberry Road, Apollo Beach, Florida 33572

☎ (813)645-2748

🌐 www.lifesavingsystems.com

