

# Quick Release Safety Buckle



**#393**



**#395**

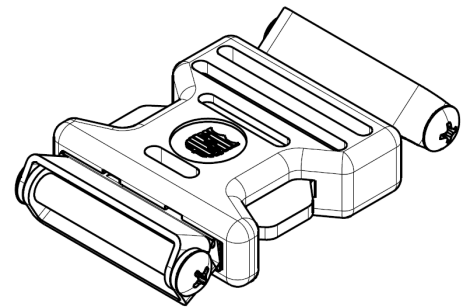


**#395-B**

The Quick Release Safety Buckle (QSRB) are used extensively throughout the LSC product line; the custom designed buckle is corrosion resistant and features metal-to-metal, double latch security. Constructed of stainless steel with a structurally independent and high strength plastic housing. Suitable for 1 inch webbing (1-3/4 inch webbing folded). Mating hardware is available as a link or with adjuster (sold separately). High-strength, retrofit, and all black tactical versions available.

## Product Variations:

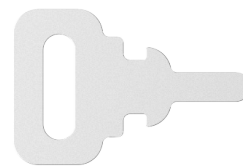
Part Number	Size
392	Retrofit Buckle and Link, Screw Pins Allow for Attachment to Existing Sewn 1.25" Webbing Loops. <b>NSN 5340-01-479-7788</b>
393	Buckle, Standard
395	Buckle, High Visibility Red
395-B	Buckle, Black Tactical Version
401-2	Link
451-K	Adjuster



**#392 Retrofit Buckle and Link**

## Specifications:

Quick Release Safety Buckle	
Weight	0.17lbs (77g)
Materials	304 Stainless Steel, High Strength Plastic Housing
Breaking Strength	1,000lbs (454kg)



**#401-2**



**#393**



**#451-K**

**#395 With 1-3/4" Webbing Folded**

LIFESAVING SYSTEMS CORPORATION

220 Elsberry Road, Apollo Beach, Florida 33572

(813)645-2748

www.lifesavingsystems.com

