

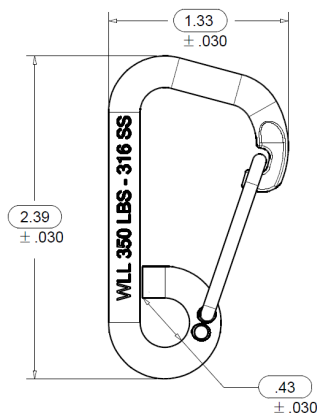
Snap Hooks

Made of marine-grade 316 stainless steel, LSC Snap Hooks have a generous gate opening and the wide offset shape and pretension on the torsion spring reduces the risk of self-release.

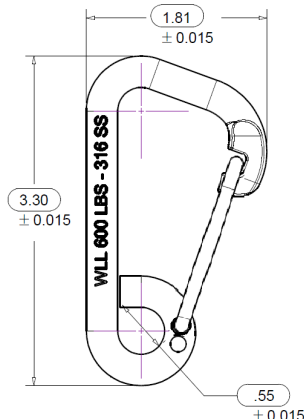


Product Variations:

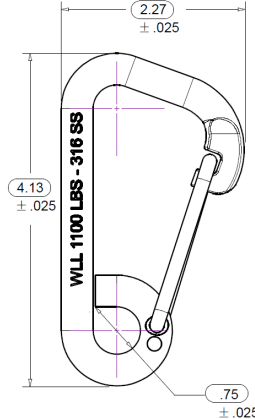
Part Number	Size	Material	Strength	NSN
364	2-3/8"	316 SS	353lbs WLL, 1764lbs BL	5340-01-550-7213
365	3-5/32"	316L SS	660lbs WLL, 2650lbs BL	5340-01-560-9976
366	4"	316 SS	1102lbs WLL, 5511lbs BL	5340-01-550-7225
367	4-5/8"	316L SS	1984lbs WLL, 9921lbs BL	5340-01-560-9984
664	2-3/8"	Stainless Steel	Imported, for utility use only	
667	4-5/8"	Forged Stainless Steel	2000lbs WLL, high quality and economical alternative to #367	



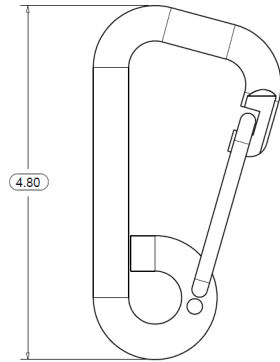
#364



#365



#366



#367

#377

Used to hold open the latch gate of LSC #367 and #667 snap hooks. Attached to a pole, it can be used to reach out and snap the hook onto mooring buoys, bow cleats, deck rings, etc. Once the hook is engaged, a simple pull back on the pole releases the hook and latch gate simultaneously. Constructed of stainless steel, it will provide many years of service. Includes stainless steel mounting screws. Snap hook and Boat Hook pole not included. **NSN: 5340-01-626-1483**



LIFESAVING SYSTEMS CORPORATION

220 Elsberry Road, Apollo Beach, Florida 33572

(813)645-2748

www.lifesavingsystems.com

